

NOTE: DIMENSIONS AND VOLUMES ARE NOMINAL



www.premierplastics.com 1-800-661-4473

SEPTIC 'SUPERTANK'
DOUBLE CHAMBER - REINFORCED
FOR HIGH WATER TABLE

US MODEL STSU1300EHR - 1300 US GAL

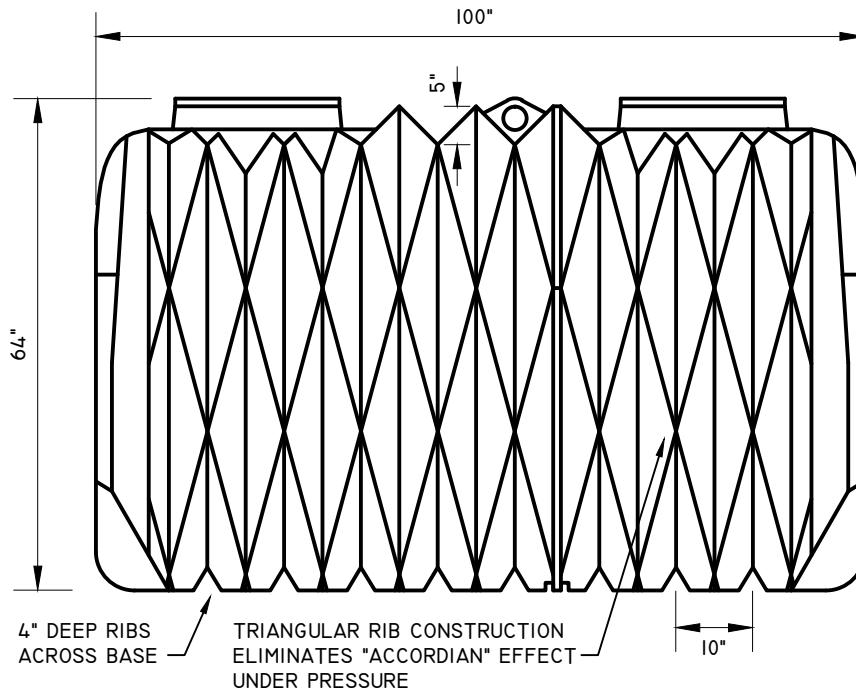
DATE: JUNE 2010

SCALE: NTS

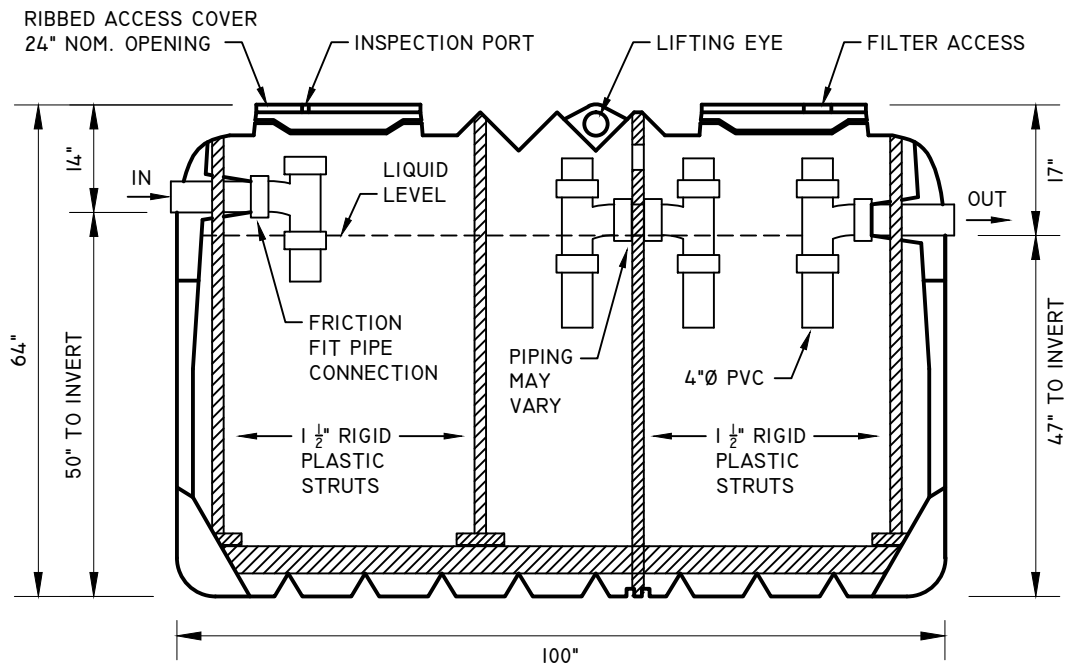
DRAWN: SGM

SHEET. No. 1 OF 2

REV. MAY 2015



ELEVATION



SECTION



www.premierplastics.com 1-800-661-4473

SEPTIC 'SUPERTANK'
DOUBLE CHAMBER - REINFORCED
FOR HIGH WATER TABLE
USA MODEL STSUI300EHR - 1300 US GAL

DATE: JUNE 2010

SCALE: NTS

DRAWN: SGM

SHEET. No. 2 OF 2

REV. FEB 2019