

NOTE: DIMENSIONS AND VOLUMES ARE NOMINAL
1" = 25.4MM



www.premierplastics.com 1-800-661-4473

SEPTIC 'SUPERTANK'
DOUBLE CHAMBER
CAN. MODEL STS900D - 920 IMP GAL

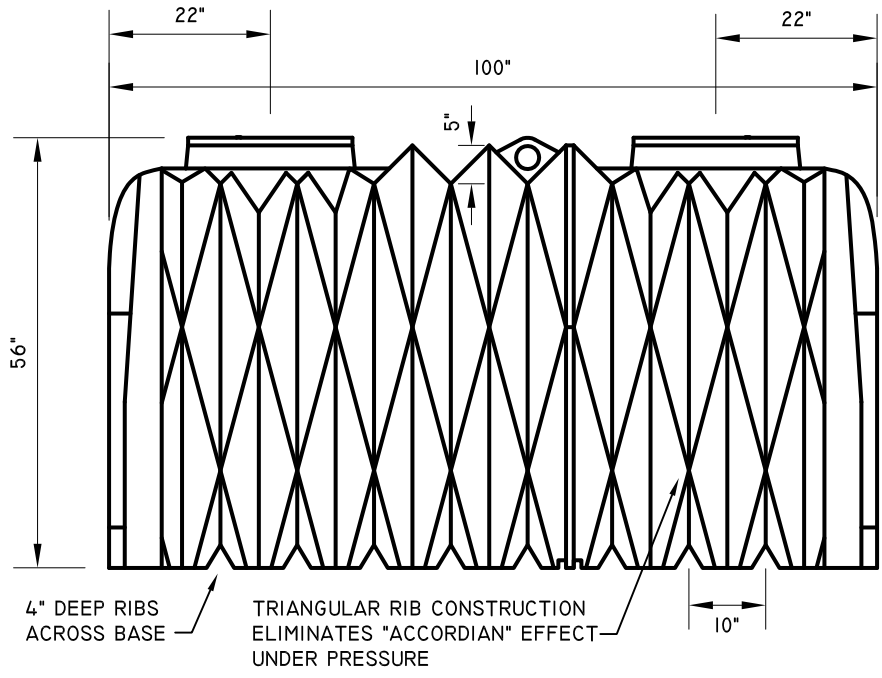
DATE: FEB 2017

SCALE: NTS

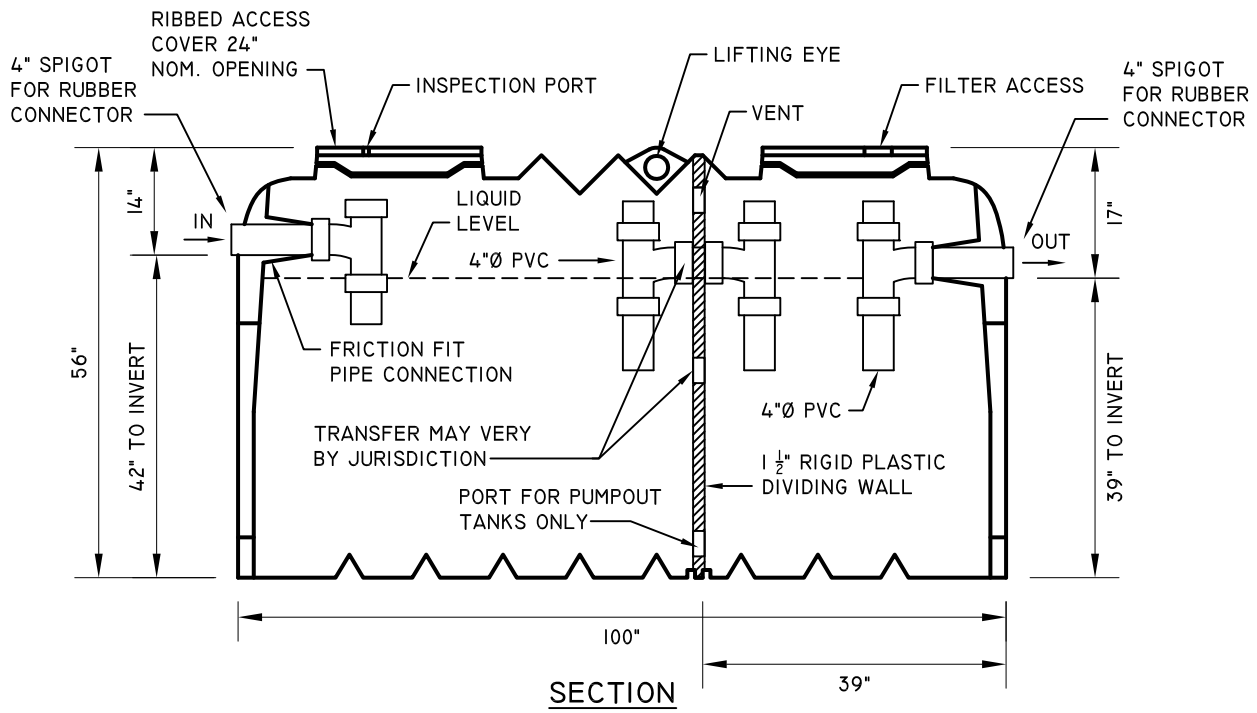
DRAWN: JZ

SHEET. No. 1 OF 2

REV.



ELEVATION



SECTION

NOTE: DIMENSIONS AND VOLUMES ARE NOMINAL
 1" = 25.44MM



www.premierplastics.com 1-800-661-4473

SEPTIC 'SUPERTANK'
 DOUBLE CHAMBER
 CAN. MODEL STS900D - 920 IMP GAL

DATE: FEB 2017
SCALE: NTS
DRAWN: JZ
SHEET. No. 2 OF 2
REV.