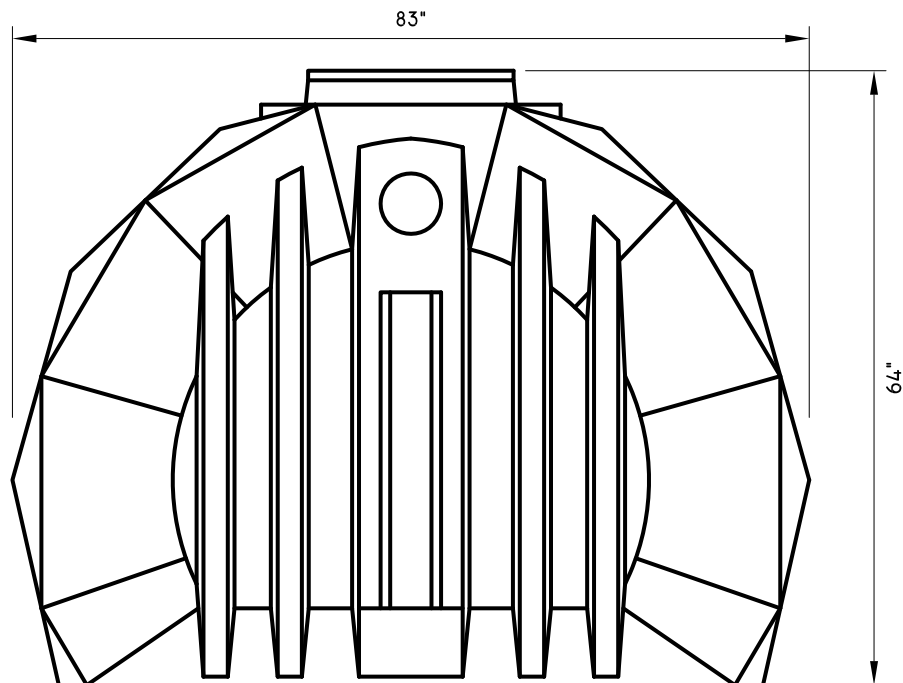


TOP VIEW



END ELEVATION

NOTE: DIMENSIONS AND VOLUMES ARE NOMINAL



www.premierplastics.com Toll-Free: 1-800-661-4473

CISTERN 'SUPERTANK'

US MODEL: STCU1500 - 1500 US GAL

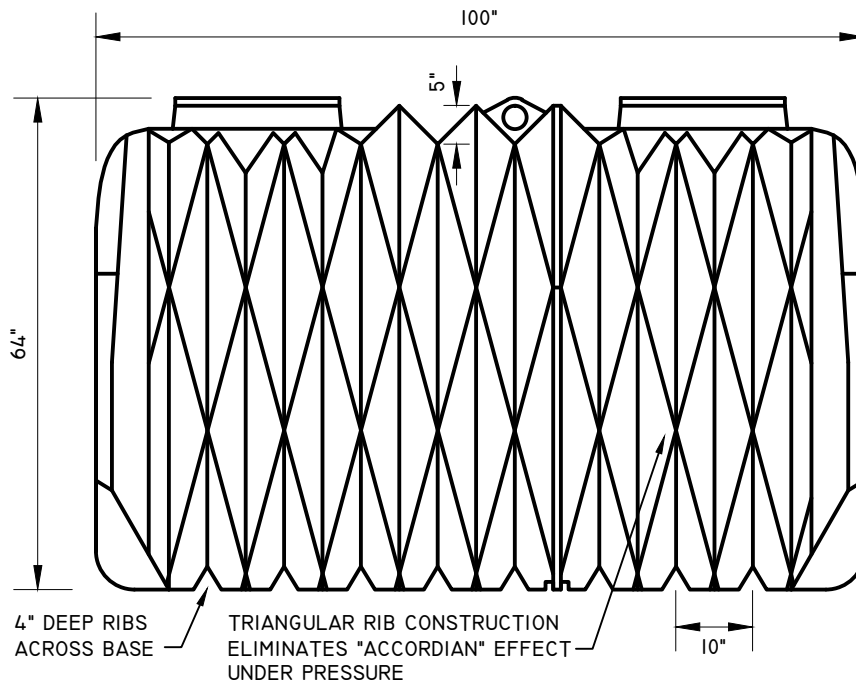
DATE: MAY 2010

SCALE: 1:20

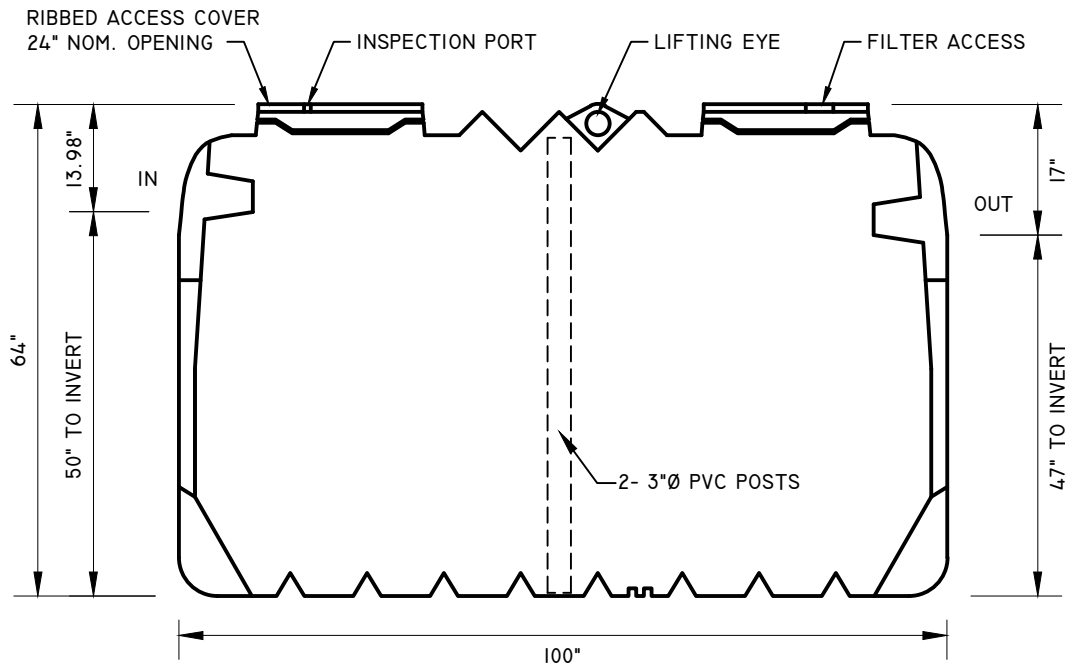
DRAWN: SGM

SHEET. No. 1 OF 2

REV. US



ELEVATION



SECTION



www.premierplastics.com 1-800-661-4473

CISTERN 'SUPER TANK'

USA MODEL STCUI500EH - 1500 US GAL

DATE: JUNE 2010

SCALE: NTS

DRAWN: SGM

SHEET. No. 2 OF 2

REV. FEB 2019