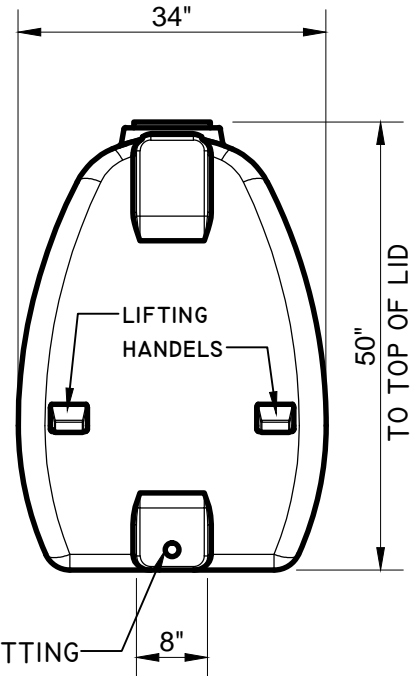
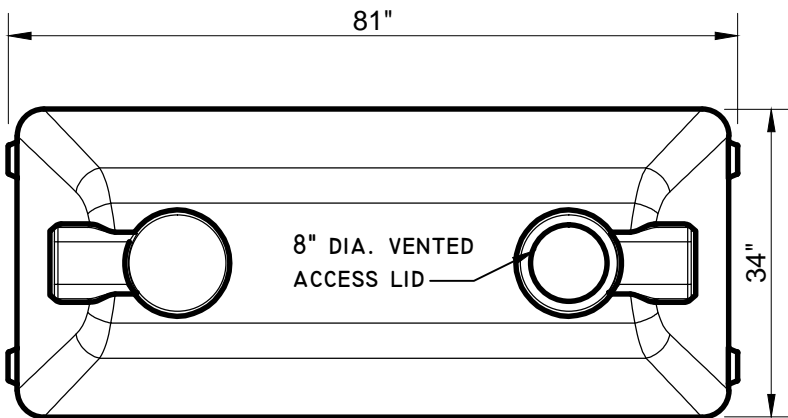


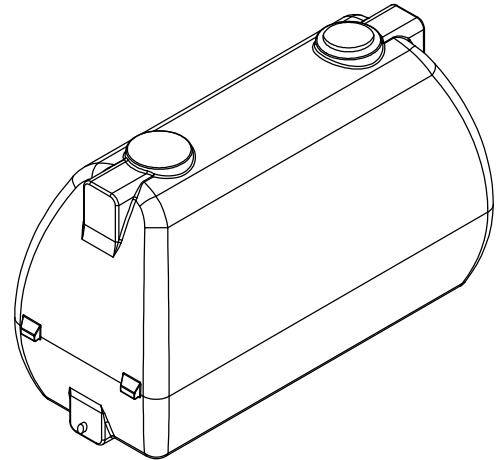
SIDE ELEVATION



END ELEVATION



TOP VIEW



ISOMETRIC VIEW

NOTE: -WILL PASS THRU 36" DOORWAY;
 -DIMENSIONS AND VOLUMES ARE APPROXIMATE



www.premierplastics.com 1-800-661-4473

HORIZONTAL
 RAINDROP TANK
 MODEL RTU450 - 450 US GAL

DATE: MAR 2018
SCALE: NTS
DRAWN: JZ
SHEET. No. RTU450
REV.