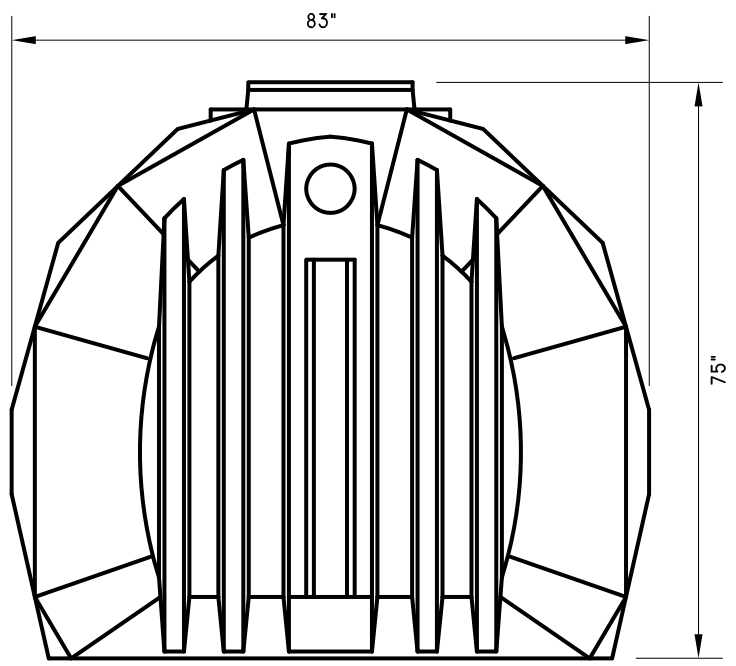


TOP VIEW



END ELEVATION

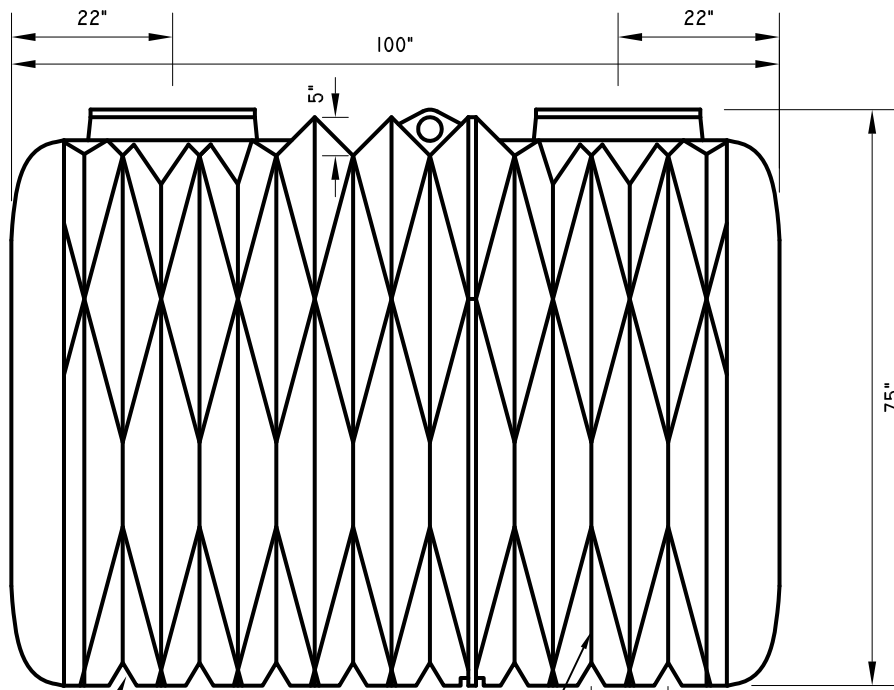
NOTE: DIMENSIONS AND VOLUMES ARE NOMINAL



www.premierplastics.com 1-800-661-4473

SEPTIC 'SUPERTANK'
 DOUBLE CHAMBER
 CAN MODEL STSI350D - 1375 IMP GAL
 US MODEL STSUI500EH - 1650 US GAL

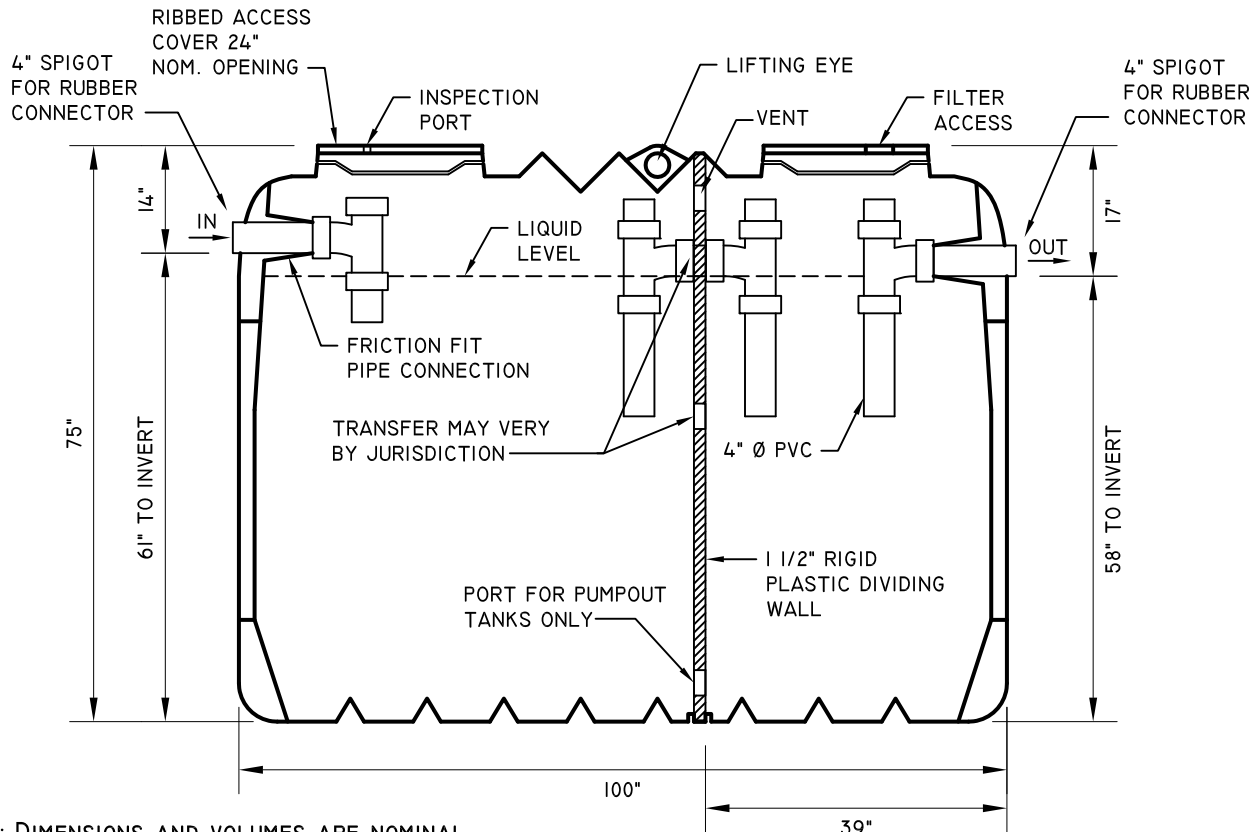
| |
|-------------------|
| DATE: FEB 2017 |
| SCALE: NTS |
| DRAWN: JZ |
| SHEET. No. 1 OF 2 |
| REV. |



4" DEEP RIBS
ACROSS BASE

TRIANGULAR RIB CONSTRUCTION
ELIMINATES "ACCORDIAN" EFFECT
UNDER PRESSURE

10"



NOTE: DIMENSIONS AND VOLUMES ARE NOMINAL



www.premierplastics.com 1-800-661-4473

SEPTIC 'SUPERTANK'

DOUBLE CHAMBER

CAN MODEL STSI350D - 1350 IMP GAL

US MODEL STSUI500EH - 1650 US GAL

DATE: FEB 2017

SCALE: NTS

DRAWN: JZ

SHEET. No. 2 OF 2

REV.