

NOTE: DIMENSIONS AND VOLUMES ARE NOMINAL
 1" = 25.4MM



www.premierplastics.com 1-800-661-4473

SEPTIC 'SUPERTANK'

DOUBLE CHAMBER

CAN. MODEL STSII25D - 1125 IMP GAL

US. MODEL STSUI300EH - 1350 US GAL

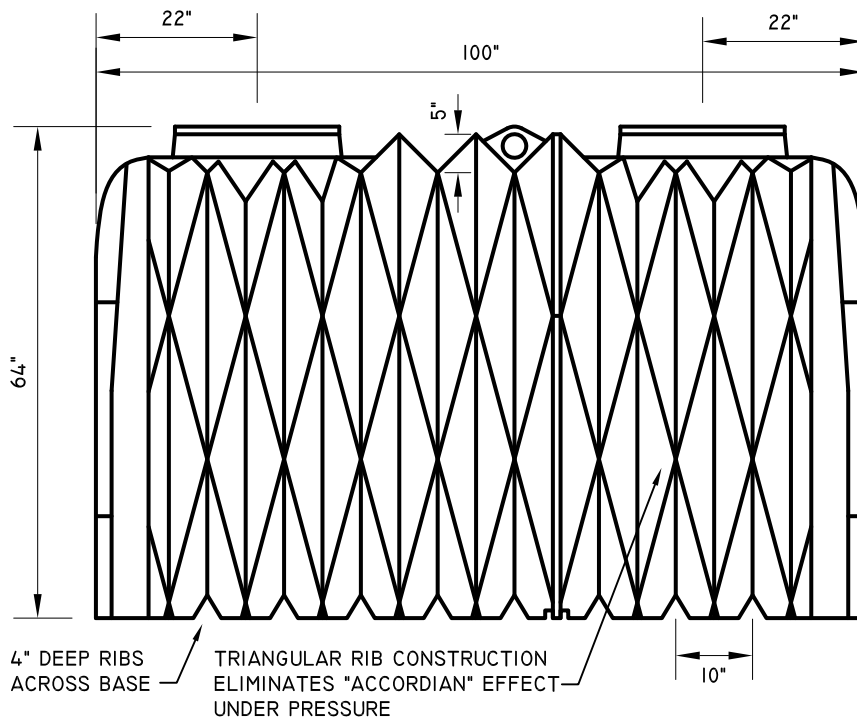
DATE: FEB 2017

SCALE: NTS

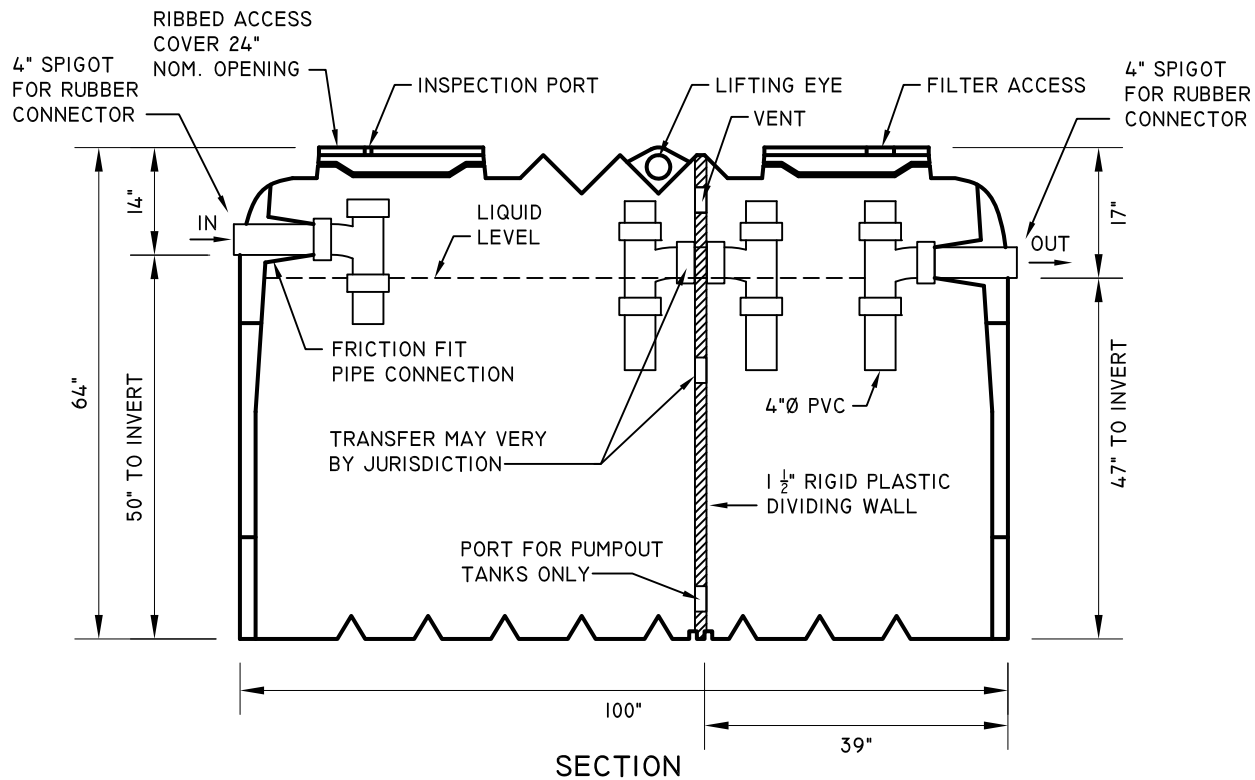
DRAWN: JZ

SHEET. No. 1 OF 2

REV.



ELEVATION



SECTION

NOTE: DIMENSIONS AND VOLUMES ARE NOMINAL
 1" = 25.4MM



www.premierplastics.com 1-800-661-4473

SEPTIC 'SUPERTANK'

DOUBLE CHAMBER

CAN. MODEL STSII25D - 1125 IMP GAL

US. MODEL STSUI300EH - 1350 US GAL

DATE: FEB 2017

SCALE: NTS

DRAWN: JZ

SHEET. No. 2 OF 2

REV.