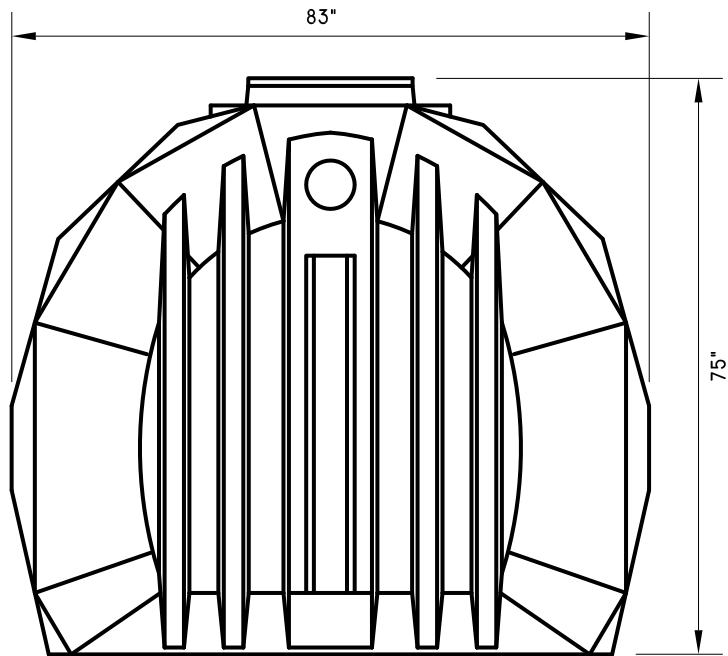


TOP VIEW



END ELEVATION

NOTE: DIMENSIONS AND VOLUMES ARE NOMINAL
1" = 25.44MM



www.premierplastics.com 1-800-661-4473

PUMP OUT 'SUPERTANK'

MODEL PCUI500D (1650 US GAL)

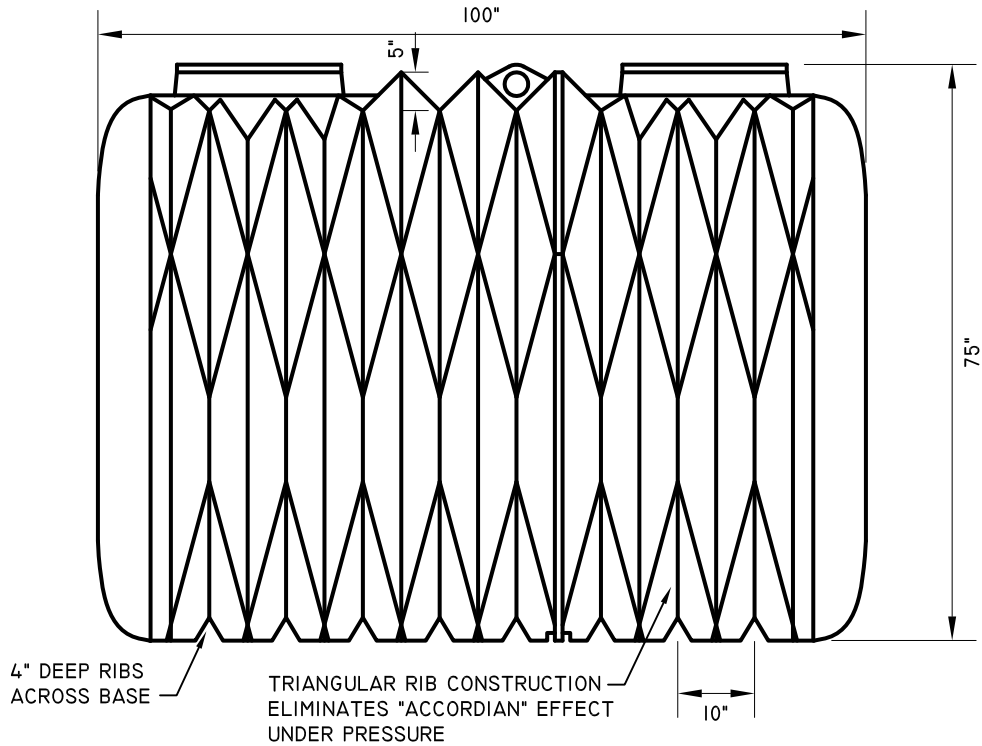
DATE: FEB 2017

SCALE: NTS

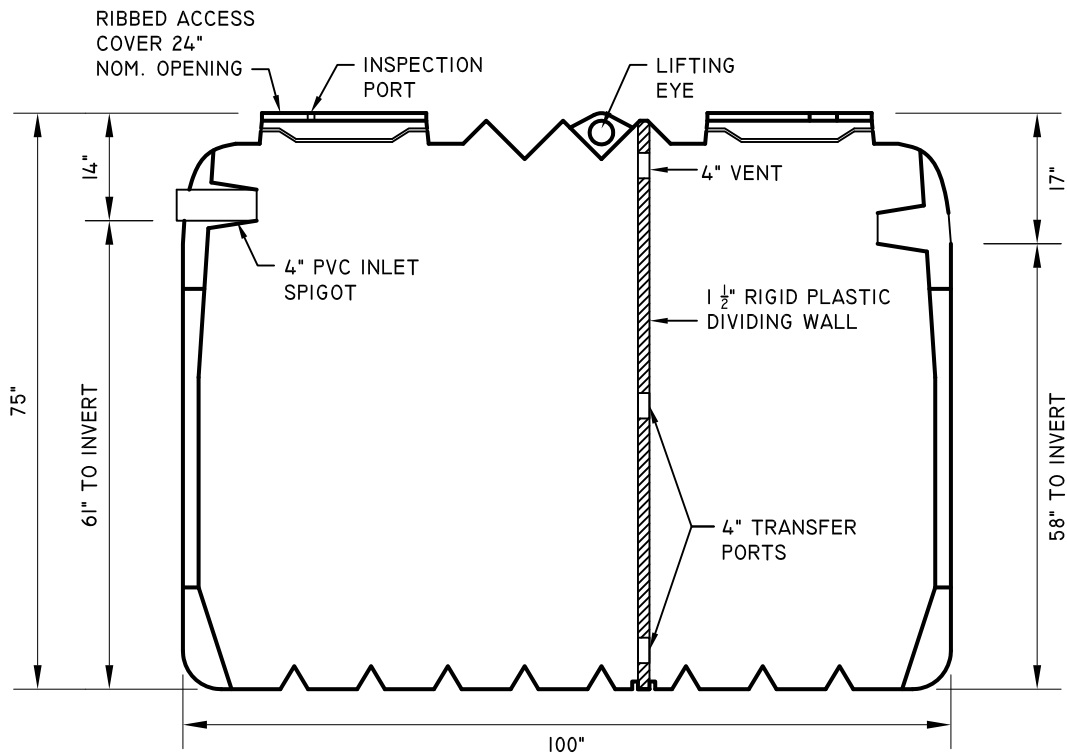
DRAWN: JZ

SHEET. No. 1 OF 2

REV.



ELEVATION



SECTION

NOTE: PIPE CONNECTION FITTINGS ORDERED AS REQUIRED
ALL DIMENSIONS AND VOLUMES ARE NOMINAL



www.premierplastics.com 1-800-661-4473

PUMP OUT 'SUPERTANK'

MODEL PCUI500D (1650 US GAL)

DATE: FEB 2017

SCALE: NTS

DRAWN: JZ

SHEET. No. 2 OF 2

REV.