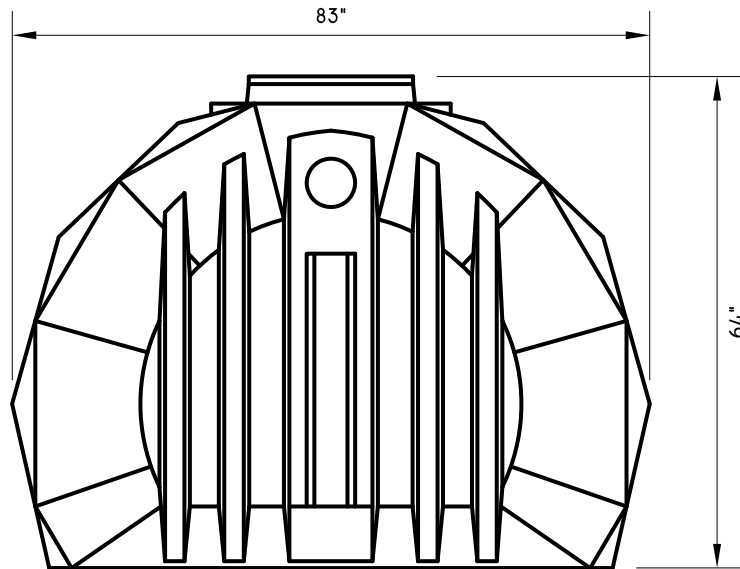


PLAN VIEW



END VIEW

NOTE: ALL DIMENSIONS AND VOLUMES ARE NOMINAL



www.premierplastics.com 1-800-661-4473

PUMP OUT 'SUPERTANK'

MODEL PCUI300D (1350 US GAL)

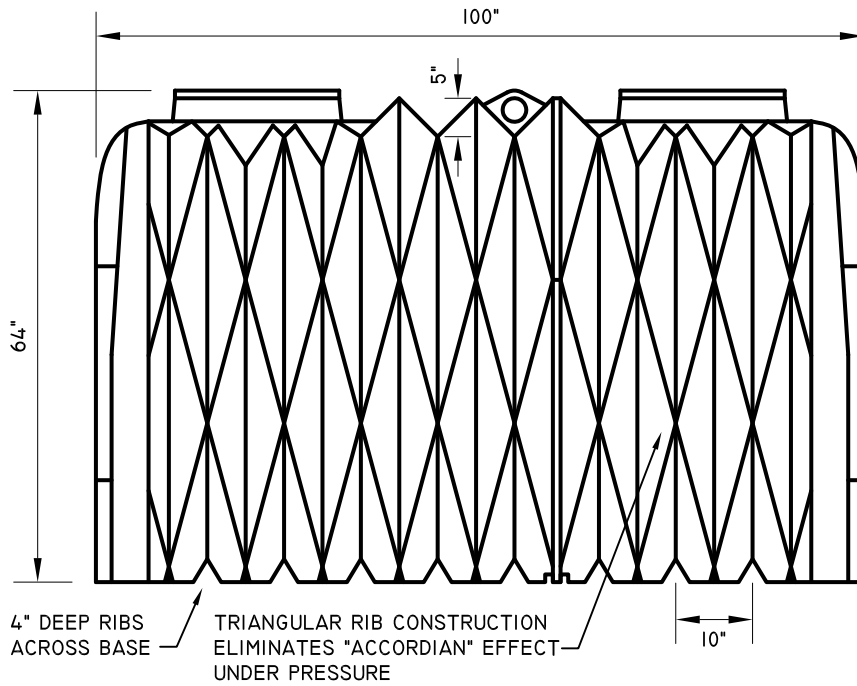
DATE: FEB 2017

SCALE: NTS

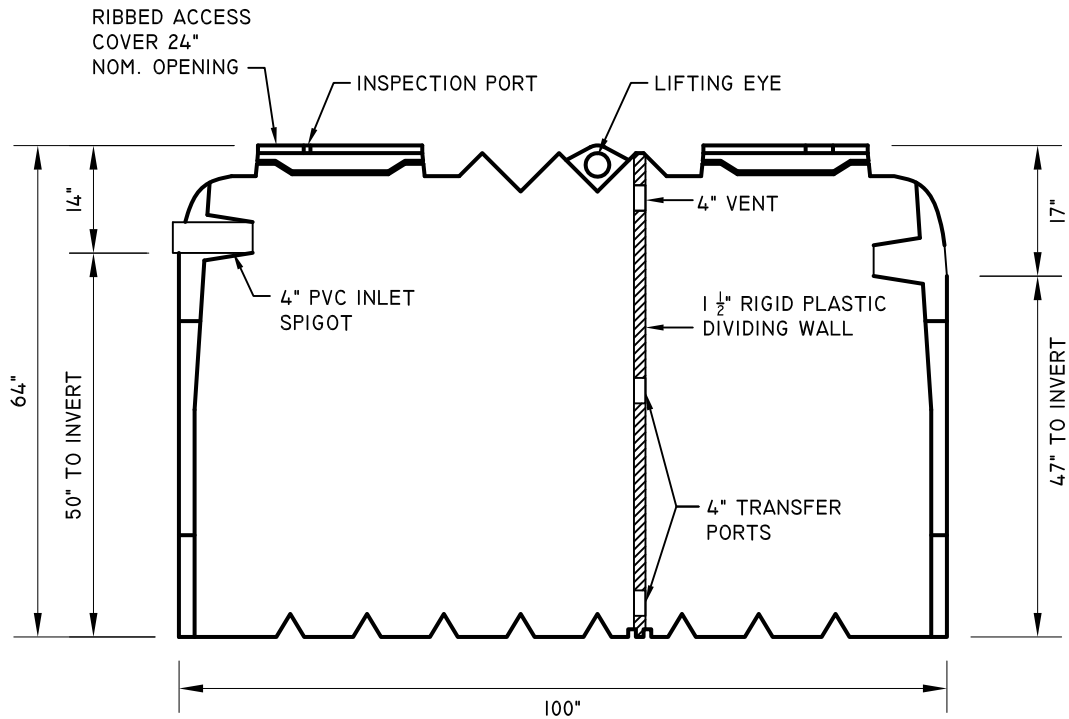
DRAWN: JZ

SHEET. No. 1 OF 2

REV.



ELEVATION



SECTION

NOTE: PIPE CONNECTION FITTINGS ORDERED AS REQUIRED
ALL DIMENSIONS AND VOLUMES ARE NOMINAL



www.premierplastics.com 1-800-661-4473

PUMP OUT 'SUPERTANK'

MODEL PCUI300D (1350 US GAL)

DATE: FEB 2017

SCALE: NTS

DRAWN: JZ

SHEET. No. 2 OF 2

REV.