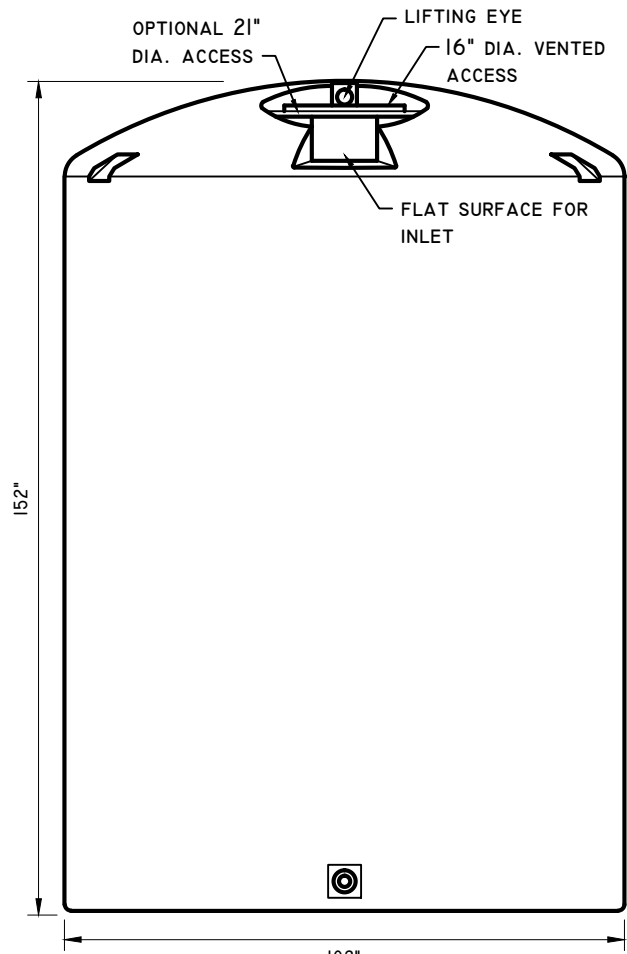
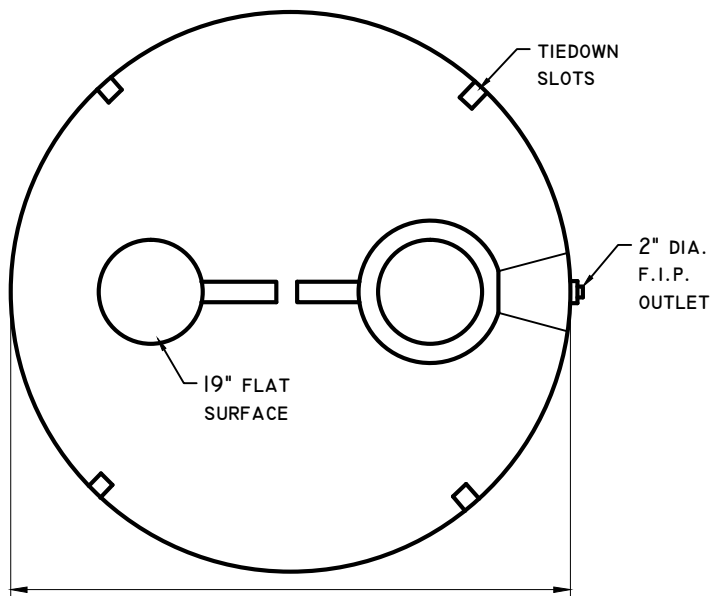


SIDE ELEVATION



FRONT ELEVATION



TOP VIEW

NOTE: DIMENSIONS AND VOLUMES ARE NOMINAL



www.premierplastics.com 1-800-661-4473

VERTICAL WATER TANK

4160 IMP. GALLON - VW4160

4999 US. GALLON - VU4999

POLYETHYLENE

DATE: AUG 2008

SCALE: NTS

DRAWN: SGM

DWG. No. VW4160

REV.