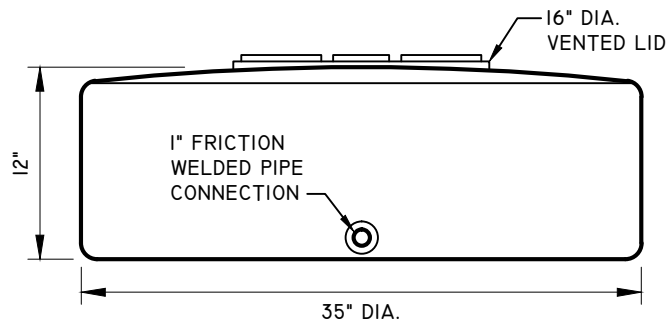


TOP VIEW



SIDE ELEVATION

NOTES: - OPTIONAL THRU-HULL FITTINGS ARE AVAILABLE UPON REQUEST
 - DIMENSIONS AND VOLUMES ARE NOMINAL



www.premierplastics.com 1-800-661-4473

UTILITY STORAGE TANK

50 US. GALLON - UT35-50
 40 IMP. GALLON

POLYETHYLENE

DATE: MAY 2010

SCALE: 1:12

DRAWN: SGM

DWG. No. UT35-50

REV.