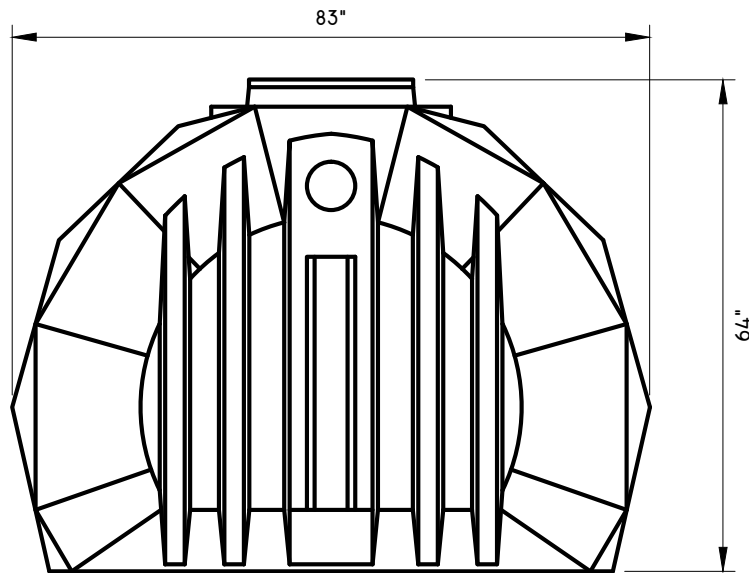


PLAN VIEW



END VIEW

NOTE: DIMENSIONS AND VOLUMES ARE NOMINAL



www.premierplastics.com 1-800-661-4473

CISTERN 'SUPERTANK'

CAN MODEL: STC1250 - 1250 IMP GAL

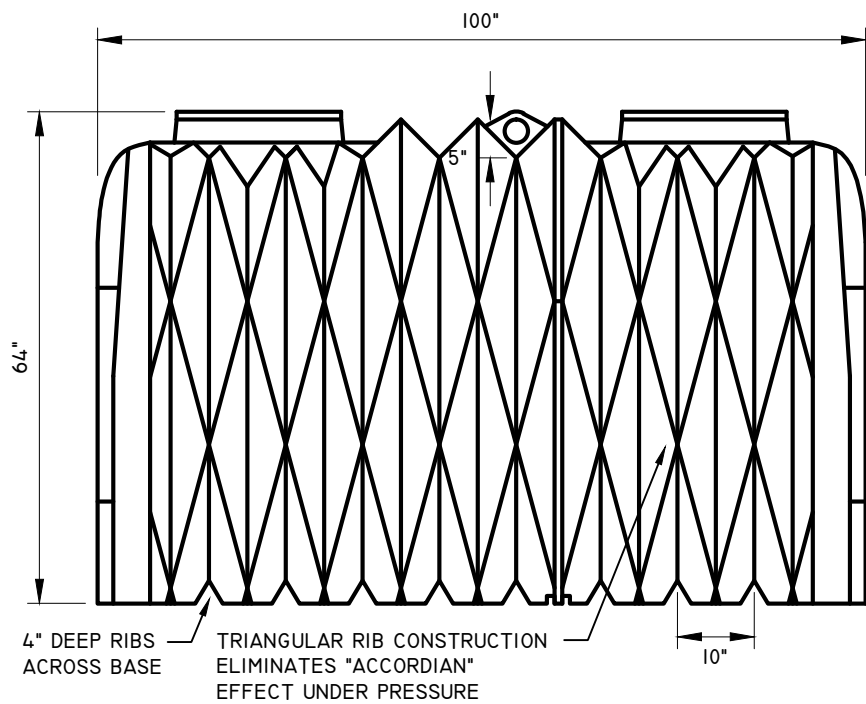
DATE: MAY 2010

SCALE: NTS

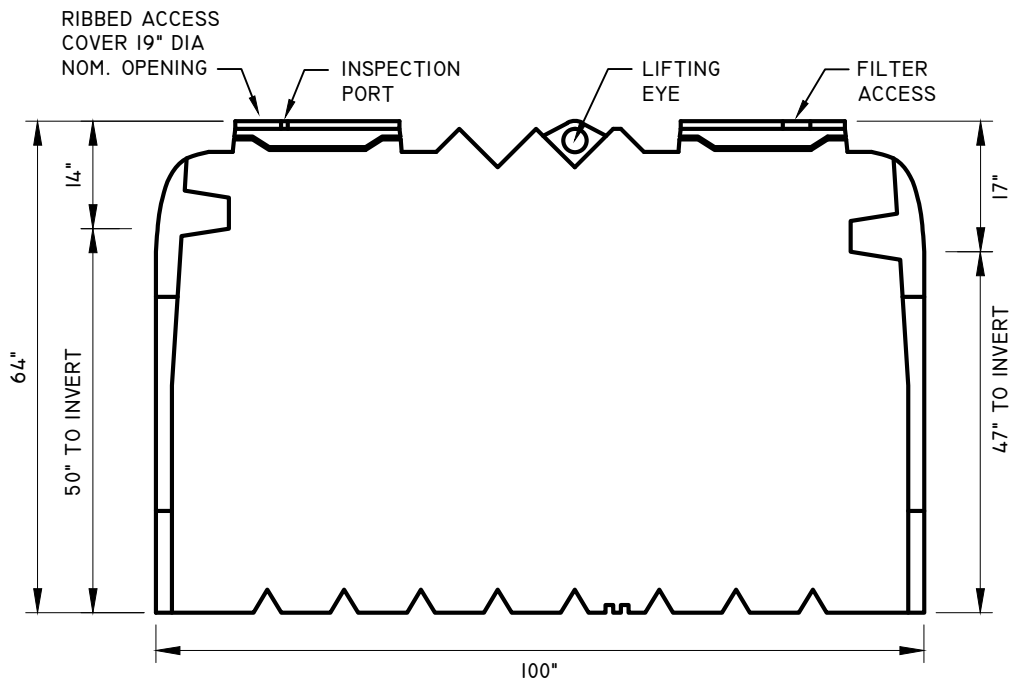
DRAWN: SGM

SHEET. No. 1 OF 2

REV. CAN



ELEVATION



SECTION

NOTE: DIMENSIONS AND VOLUMES ARE NOMINAL



www.premierplastics.com 1-800-661-4473

CISTERN 'SUPERTANK'

CAN MODEL: STC1250 - 1250 IMP GAL

DATE: MAY 2010

SCALE: NTS

DRAWN: SGM

SHEET. No. 2 OF 2

REV. CAN