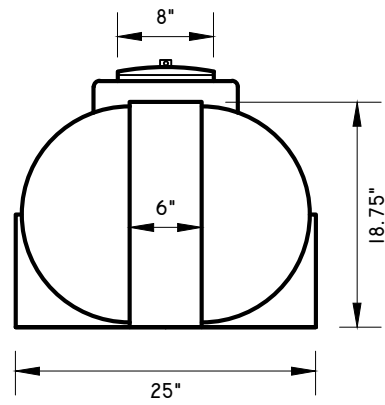
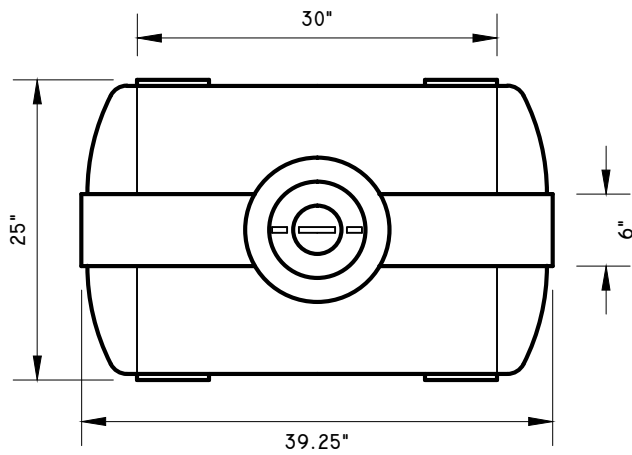


SIDE ELEVATION



END ELEVATION



TOP VIEW

NOTE: DIMENSIONS AND VOLUMES ARE NOMINAL



www.premierplastics.com 1-800-661-4473

## HORIZONTAL LEG TANK

45 IMP. GALLON - LT45

POLYETHYLENE

DATE: DEC 2008

SCALE: NTS

DRAWN: SGM

DWG. No. LT45

REV.