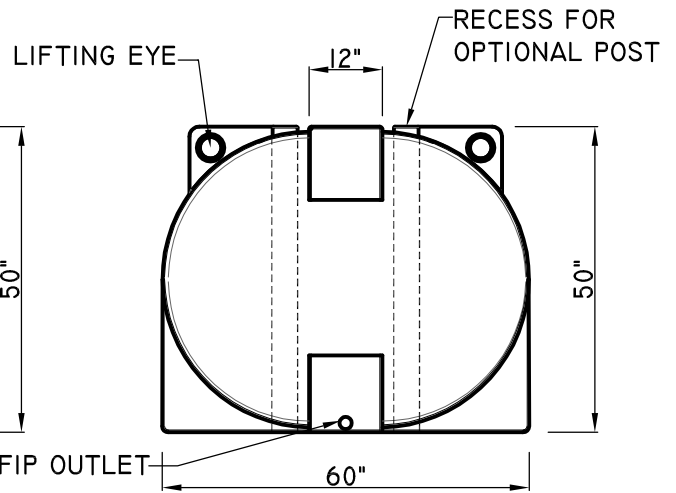
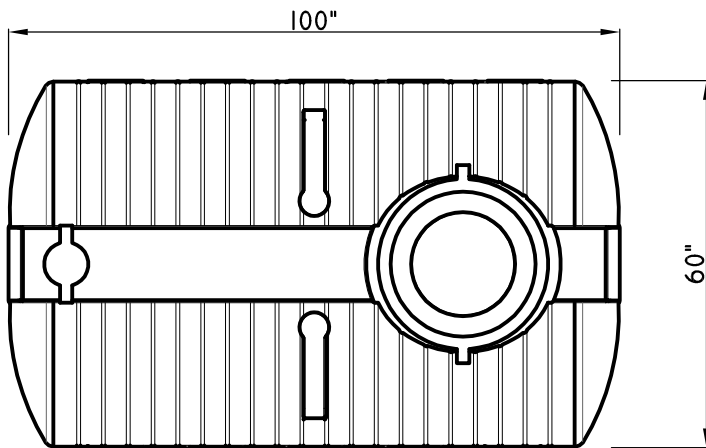


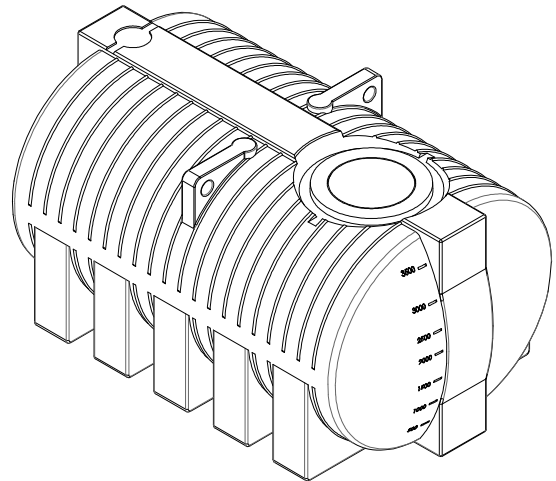
SIDE ELEVATION



END ELEVATION



TOP VIEW



NOTE: NOMINAL DIMENSIONS SHOWN



WWW.PREMIERPLASTICS.COM 1-800-661-4473

HORIZONTAL LEG TANK

810 IMP. GAL - LT 810

POLYETHYLENE

DATE: AUG. 24, 2016

SCALE: N.T.S.

DRAWN: JZ

DWG. NO.: LT 810

REV.: