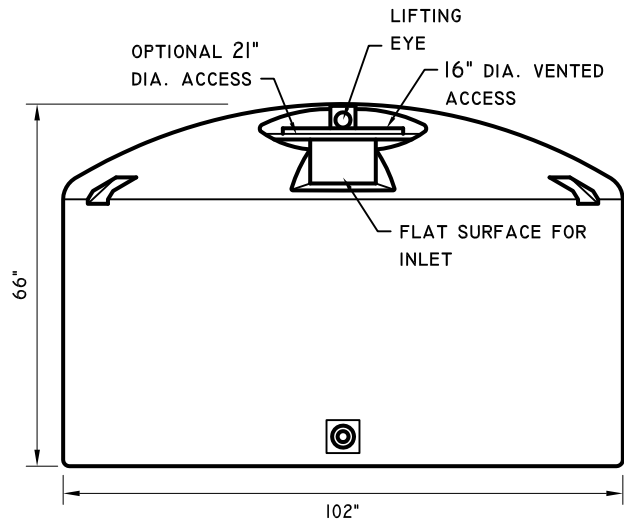
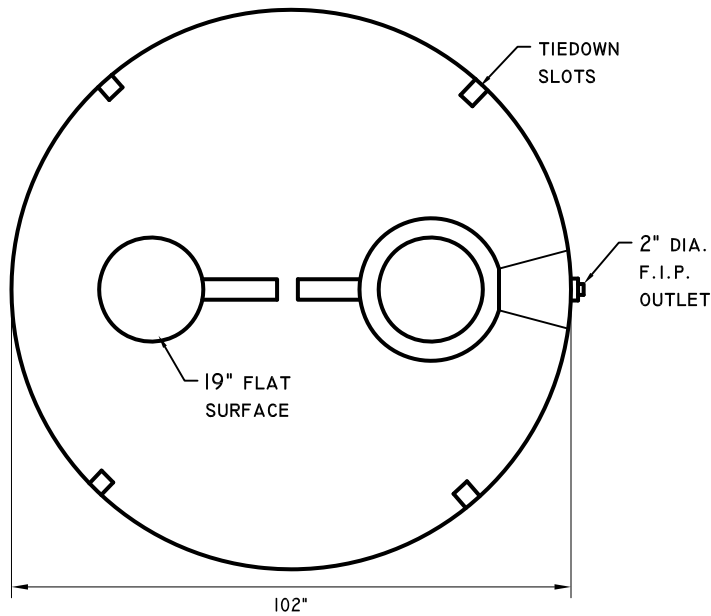


SIDE ELEVATION



FRONT ELEVATION



TOP VIEW



**PREMIER
PLASTICS INC.**
MANUFACTURERS OF ROTATIONALLY MOULDED PRODUCTS

8328 River Way
Delta, BC, Canada
V4G 1C4
www.premierplastics.com

Toll Free: 1-800-661-4473
Bus: (604) 952-6686
Fax: (604) 952-6696
E-mail: premier@ultranet.ca

VERTICAL WATER TANK

1660 IMP. GALLON - VWI660
2000 US. GALLON - VU2000

POLYETHYLENE

DATE: AUG 2008

SCALE: NTS

DRAWN: SGM

DWG. No. VWI660

REV.