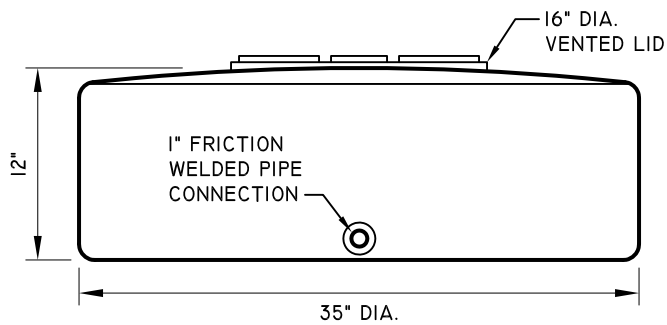


TOP VIEW



SIDE ELEVATION

NOTE: OPTIONAL THRU-HULL FITTINGS ARE AVAILABLE UPON REQUEST



**PREMIER  
PLASTICS INC.**  
MANUFACTURERS OF ROTATIONALLY MOULDED PRODUCTS

8328 River Way  
Delta, BC, Canada  
V4G 1C4  
www.premierplastics.com

Toll Free: 1-800-661-4473  
Bus: (604) 952-6686  
Fax: (604) 952-6696  
E-mail: premier@ultranet.ca

UTILITY STORAGE TANK

50 US. GALLON - UT35-50  
40 IMP. GALLON

POLYETHYLENE

DATE: MAY 2010

SCALE: 1:12

DRAWN: SGM

DWG. No. UT35-50

REV.