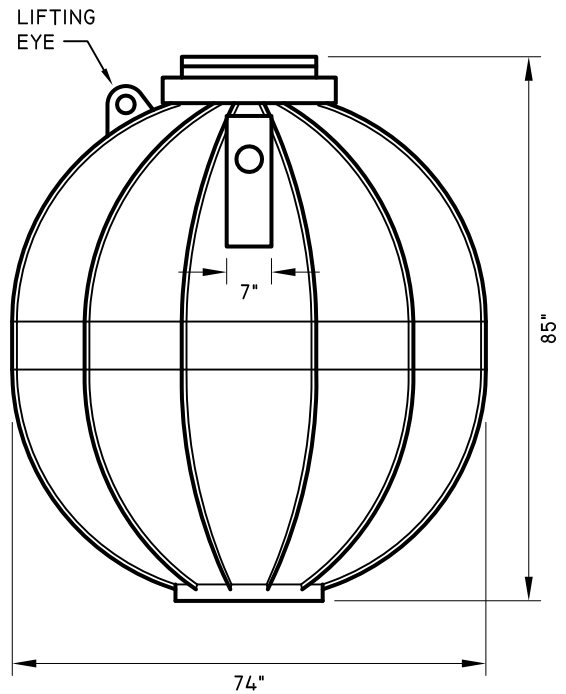
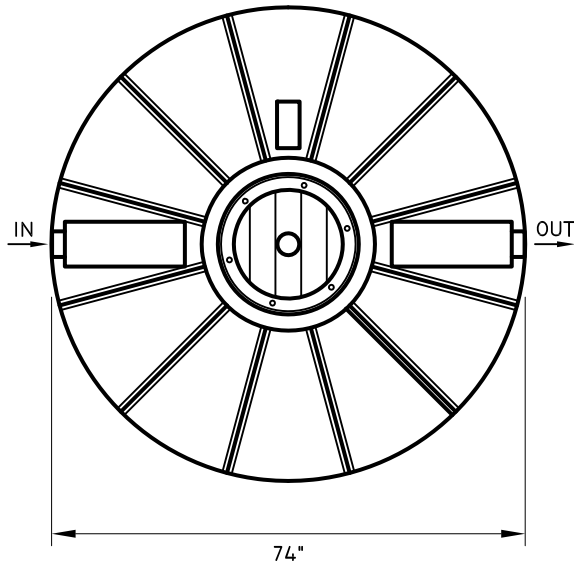


SIDE ELEVATION



FRONT ELEVATION



PLAN VIEW

**SELECTION SCHEDULE**

780 IMP. GAL.	SEPTIC TANK	SEP 780
780 IMP. GAL.	PUMP TANK	PO 780
880 IMP. GAL.	WATER TANK	CIS 880
940 US. GAL.	PUMP TANK	PCU 940
1056 US. GAL.	WATER TANK	CSU 1056EH

**NOTE:**

PUMP TANKS - SINGLE INLET ONLY  
 WATER TANKS - NO FACTORY CONNECTIONS  
 TANKS FOR BURIAL ONLY



**PREMIER  
 PLASTICS INC.**  
 MANUFACTURERS OF ROTATIONALLY MOULDED PRODUCTS

8328 River Way  
 Delta, BC, Canada  
 V4G 1C4  
 www.premierplastics.com

Toll Free: 1-800-661-4473  
 Bus: (604) 952-6686  
 Fax: (604) 952-6696  
 E-mail: premier@ultranet.ca

**SATURNA TANK**  
 FOR BURIAL ONLY

780 IMP. GALLON - SEP 780  
 940 US. GALLON - PCU 940

POLYETHYLENE

DATE: JUNE 2009

SCALE: 1:30

DRAWN: SGM

DWG. No. SEP 780

REV.