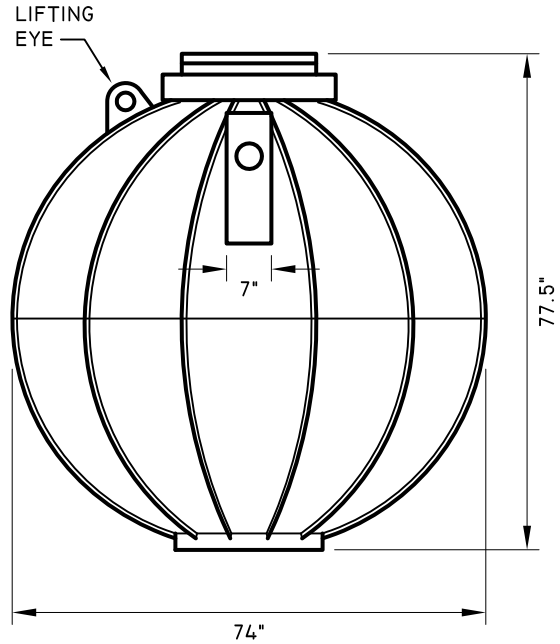
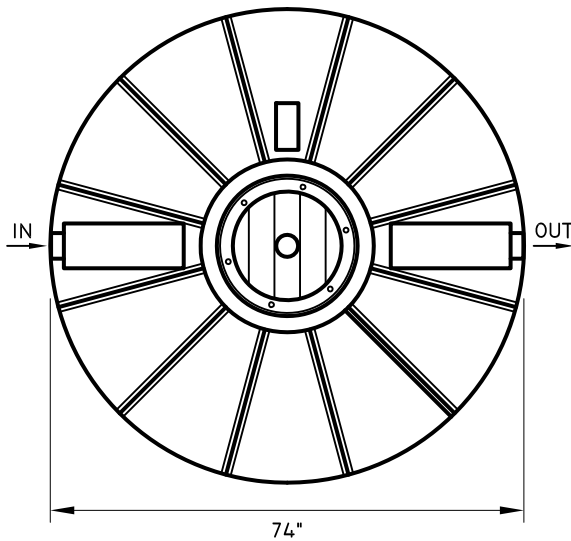


SIDE ELEVATION



FRONT ELEVATION



PLAN VIEW

SELECTION SCHEDULE

| | | |
|--------------------------------------|-------------|-----------|
| 640 IMP. GAL. | SEPTIC TANK | SEP 640 |
| 640 IMP. GAL. | PUMP TANK | PO 640 |
| 725 IMP. GAL. | WATER TANK | CIS 725 |
| | | |
| 760 US. GAL. | PUMP TANK | PCU 760 |
| 870 US. GAL. | WATER TANK | CSU 870EH |
| | | |
| NOTE: | | |
| PUMP TANKS - SINGLE INLET ONLY | | |
| WATER TANKS - NO FACTORY CONNECTIONS | | |
| TANKS FOR BURIAL ONLY | | |



**PREMIER
PLASTICS INC.**
MANUFACTURERS OF ROTATIONALLY MOULDED PRODUCTS

8328 River Way
Delta, BC, Canada
V4G 1C4
www.premierplastics.com

Toll Free: 1-800-661-4473
Bus: (604) 952-6686
Fax: (604) 952-6696
E-mail: premier@ultranet.ca

SATURNA TANK
FOR BURIAL ONLY

640 IMP. GALLON - SEP 640
760 US. GALLON - PCU 760

POLYETHYLENE

DATE: JUNE 2009

SCALE: 1:30

DRAWN: SGM

DWG. No. SEP 640

REV.