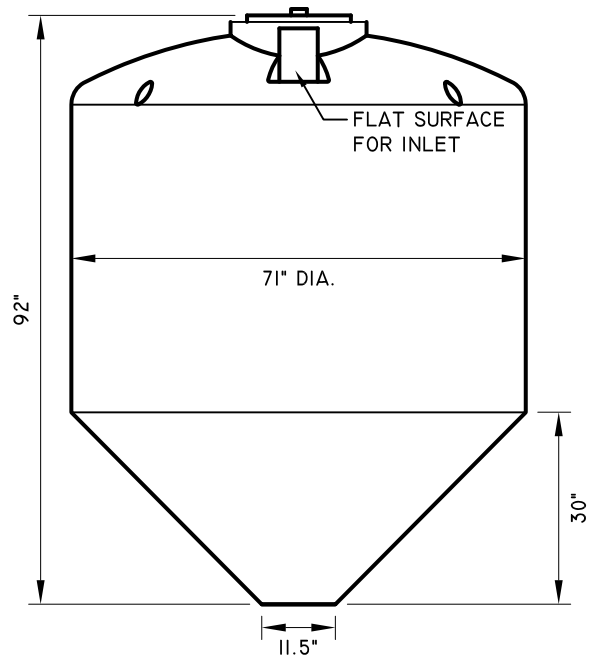
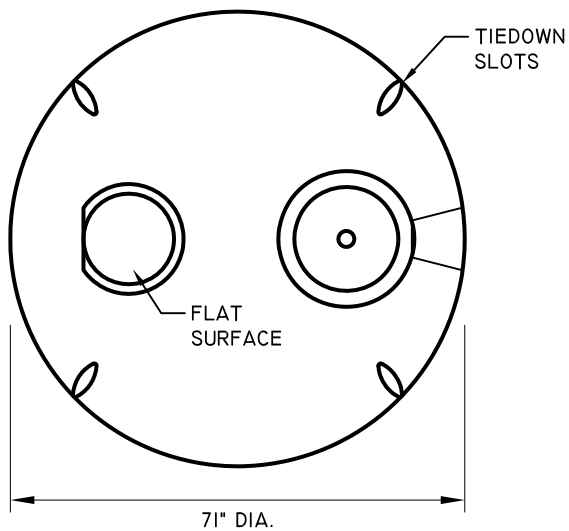


SIDE ELEVATION



FRONT ELEVATION



TOP VIEW

**NOTES**

- OPTIONAL ACCESS LIDS AND THRU-HULL FITTINGS ARE AVAILABLE UPON REQUEST
- REFER TO ALLANCO INT DRAWING FOR STAND DETAILS
- EARTHQUAKE RESTRAINTS IF REQUIRED - BY OTHERS



**PREMIER  
PLASTICS INC.**  
MANUFACTURERS OF ROTATIONALLY MOULDED PRODUCTS

8328 River Way  
Delta, BC, Canada  
V4G 1C4  
www.premierplastics.com

Toll Free: 1-800-661-4473  
Bus: (604) 952-6686  
Fax: (604) 952-6696  
E-mail: premier@ultranet.ca

**CONE BOTTOM TANK**

920 IMP. GALLON - CB 920  
1150 US. GALLON - CBU 1150

POLYETHYLENE

DATE: MAY 2009

SCALE: 1:30

DRAWN: SGM

DWG. No. CB 920

REV.