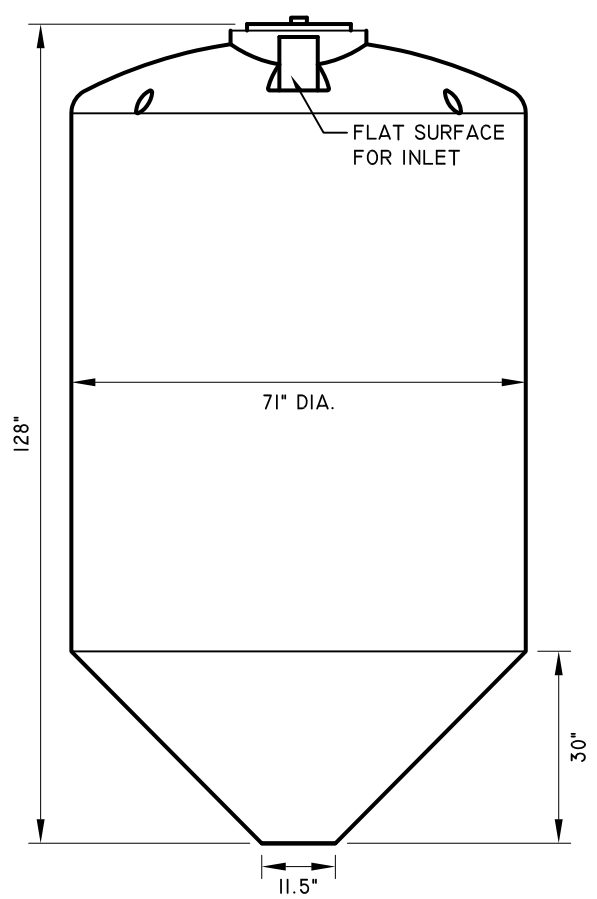
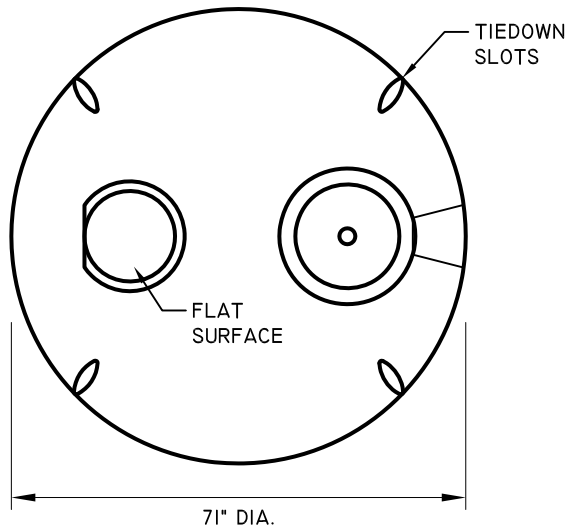


SIDE ELEVATION



FRONT ELEVATION



TOP VIEW

NOTES

- OPTIONAL ACCESS LIDS AND THRU-HULL FITTINGS ARE AVAILABLE UPON REQUEST
- REFER TO ALLANCO INT DRAWING FOR STAND DETAILS
- EARTHQUAKE RESTRAINTS IF REQUIRED - BY OTHERS



8328 River Way
Delta, BC, Canada
V4G 1C4
www.premierplastics.com

Toll Free: 1-800-661-4473
Bus: (604) 952-6686
Fax: (604) 952-6696
E-mail: premier@ultranet.ca

CONE BOTTOM TANK

1390 IMP. GALLON - CB 1390
1680 US. GALLON - CBU 1680

POLYETHYLENE

DATE: MAY 2009
SCALE: 1:30
DRAWN: SGM
DWG. No. CB 1390
REV.