

## ULTRARIB RISER

MODEL UR24-(HEIGHT)

24"  $\phi$  RISER COVER  
POLYLOK # 3008-RC24

24" ADAPTER RING  
POLYLOK # 3009-RTR24

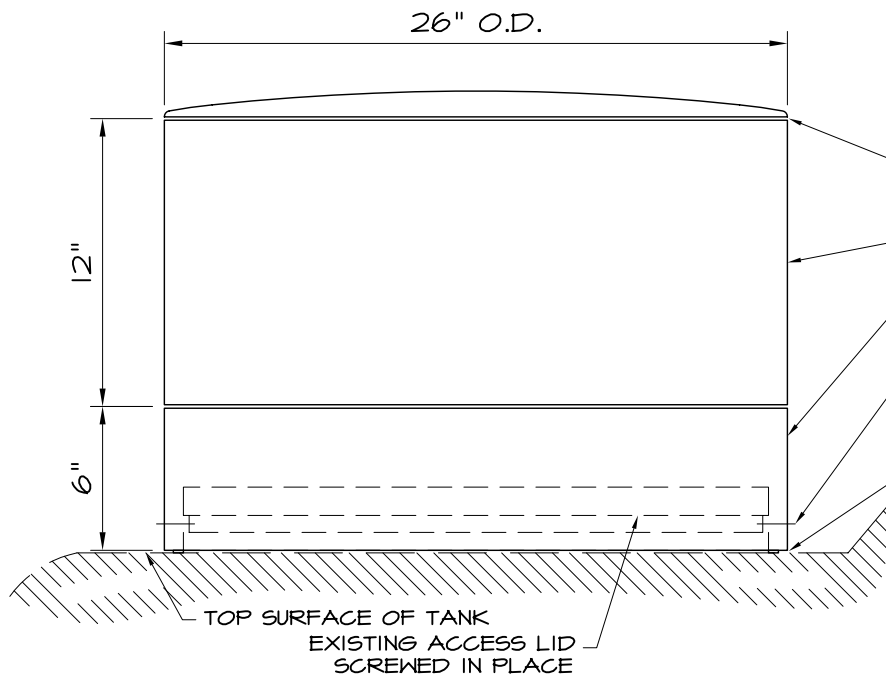
24"  $\phi$  ULTRARIB PIPE  
CUT TO ANY LENGTH  
STANDARD LENGTHS 6", 12"  
18", 24", 30", 36"

1/4"  $\phi$  x 2 1/2" SS SELFTAPPING  
SCREWS. TOTAL 8 SCREWS

SEAL RISER TO TANK  
WITH E6100 ADHESIVE

TOP SURFACE OF TANK

REMOVE EXISTING ACCESS LID



## POLYLOK RISER

MODEL PL 24 #-6, #-12

24"  $\phi$  RISER COVER  
POLYLOK # 3008-RC24

12" RISER SECTION  
POLYLOK # 3008-R12

6" RISER SECTION  
POLYLOK # 3008

1/4"  $\phi$  x 2 1/2" SS SELFTAPPING  
SCREWS. TOTAL 8 SCREWS

SEAL RISER TO TANK  
WITH E6100 ADHESIVE

TOP SURFACE OF TANK

EXISTING ACCESS LID  
SCREWED IN PLACE

ACCESSORIES: 24" POLYLOK SAFETY SCREEN # 3008-SS



8328 River Way  
Delta, BC, Canada  
V4G 1C4  
www.premierplastics.com

Toll Free: 1-800-661-4473  
Bus: (604) 952-6686  
Fax: (604) 952-6696  
E-mail: premier@ultranet.ca

## TANK RISER OPTIONS

ALL SUPERTANK MODELS  
SEPTIC AND WATER CISTERN

DATE: JULY' 06

SCALE: NTS

DRAWN: AD&D

DWG. No. 1007

REV.