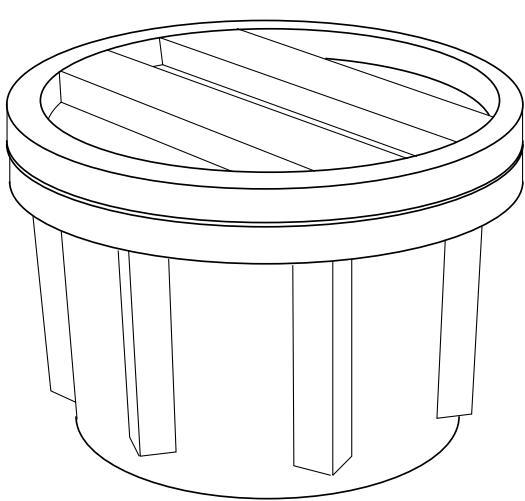


POLYETHYLENE RISER AND LID

- FOR ACCESS TO UNDERGROUND TANKS

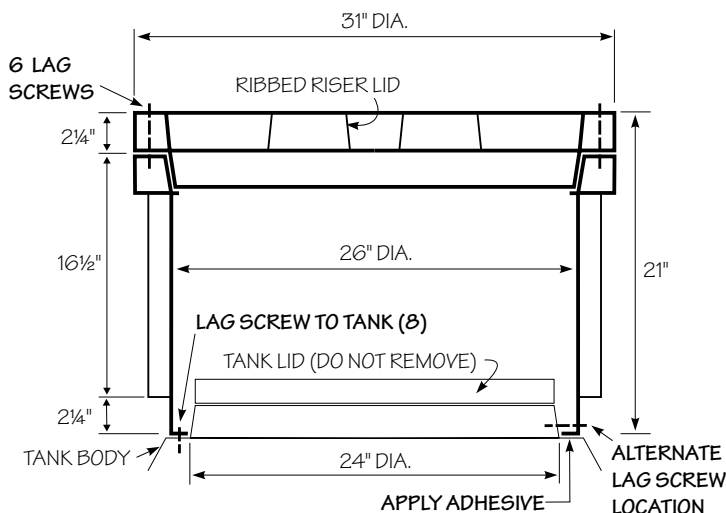


*E6100
Adhesive

RISER SPECIFICATIONS:

- ★ Model no. 21/31 – 21” high x 31” O.D.
- ★ Separate lid allows tank lid to remain in place
- ★ Fits over tank lids 24” dia. and less
- ★ Easy to install – weighs only 35 lbs.
- ★ Can be left exposed or covered with fill
- ★ Will not crack or corrode
- ★ Can be stacked for greater depths.
Add 16½” per additional section.

INSTALLATION INSTRUCTIONS



NOTE: Use rubber grommet or piece of rubber hose for passage of wiring or piping thru riser wall. (Polyethylene can be cut with woodcutting tools.)

1. Trim base (if necessary) to fit over lid on tank. (Check tank lid can be completely removed through riser opening.)
2. Secure tank lid in place (for safety/security).
3. Thoroughly clean and wipe dry bonding surfaces with acetone, MEK or alcohol. Apply a thick bead of *E6100 Adhesive (by Eclectic Products Inc.)
4. Set riser in place leaving approximately 1/8” gap for the adhesive.
5. Lag screw base of riser to top of tank body (to resist displacement from ground settlement). Screw riser lid in place. Use 8 screws as shown. Add more adhesive to outside of joint.
6. Trample granular backfill evenly around riser.

* This is the best adhesive for polyethylene that we know of, however we cannot guarantee the integrity of any joint.

Look for the PREMIER label of quality. PREMIER PLASTICS ... ‘Good Solid Tanks’



**PREMIER
PLASTICS INC.**

8328 River Way, Delta, BC, Canada V4G 1C4
Bus: (604) 952-6686 Fax: (604) 952-6696
Toll Free: 1-800-661-4473
E-mail: premier@ultranet.ca
www.premierplastics.com

Represented by: